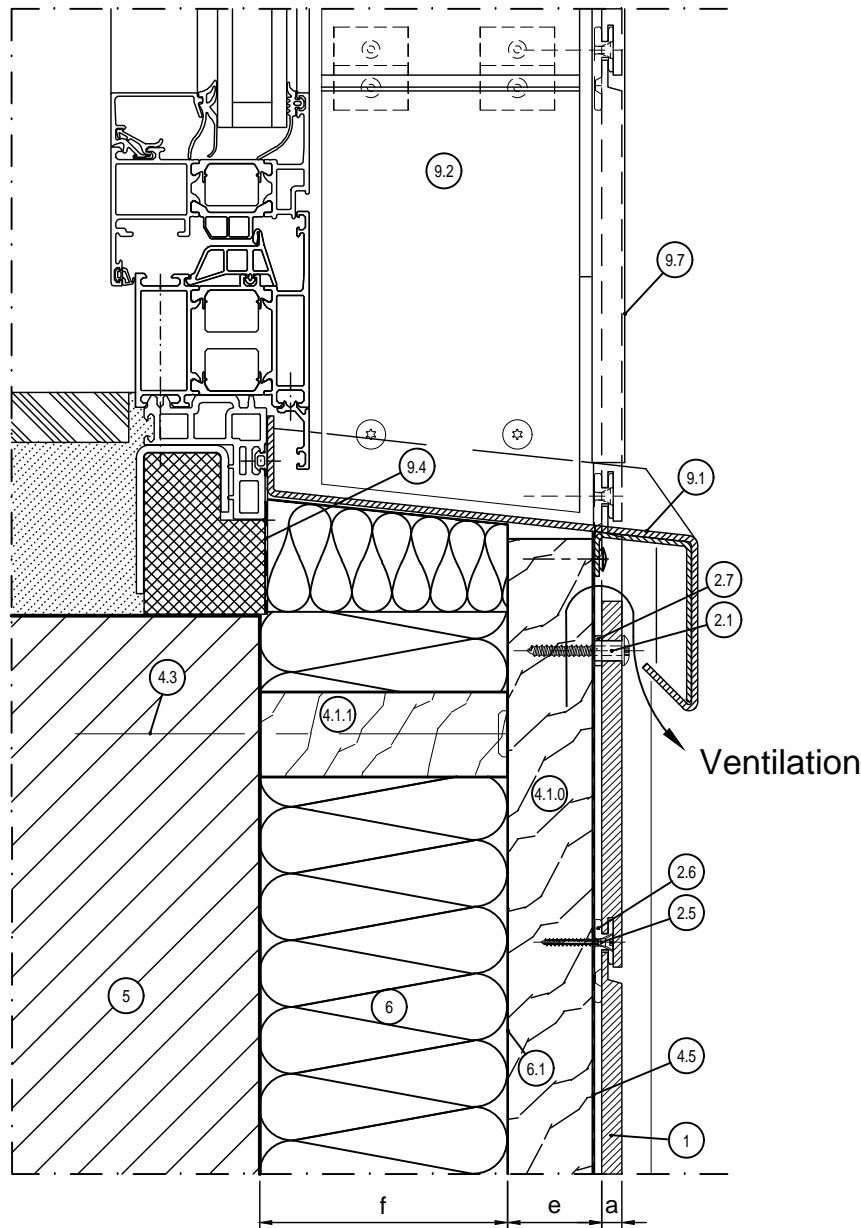


Vertical section v3.1



LEGEND:	
1	Trespa® PURA NFC® panel
2.1	Fast fix screw (SFS Intec RVS A2 4.8 x 38 mm)
2.5	Counter sunk screw (EJOT 3.5 30/25, AW 20)
2.6	Universal clip
2.7	Installation ring
4.1.0	Vertical timber batten (min. 95 - 110 x 34 mm)
4.1.1	Horizontal counter batten
4.3	Wall anchor
4.5	EPDM gasket
5	Wall
6	Insulation
6.1	(UV resistant) breather membrane (optional)
9.1	Window sill
9.2	Window reveal (with TRESPA®)
9.4	Wind seal
9.7	Outer corner profile (PROFACE® CORNEX C128-A)

GENERAL INFORMATION:	
a	Panel thickness 8 mm
e	Ventilation min. 20 mm. Recommended max. cavity depth (between rainscreen cladding and insulation): 50 mm. Ventilation inlets and outlets min. 50 cm²/m
f	Insulation (thickness)

Building/ Department		Remarks	
Alg.		A3 PURA FS v3.1 0	
Revision	Drawn Jan de Jonge	Passingen I.S.O.	Size
Date	Date JAN 2016		Number
		Name	Revision
	Scale 1:2	Façade cladding with Trespa® PURA FLUSH Siding Detail v3.1 – Window cill	
			Sheet